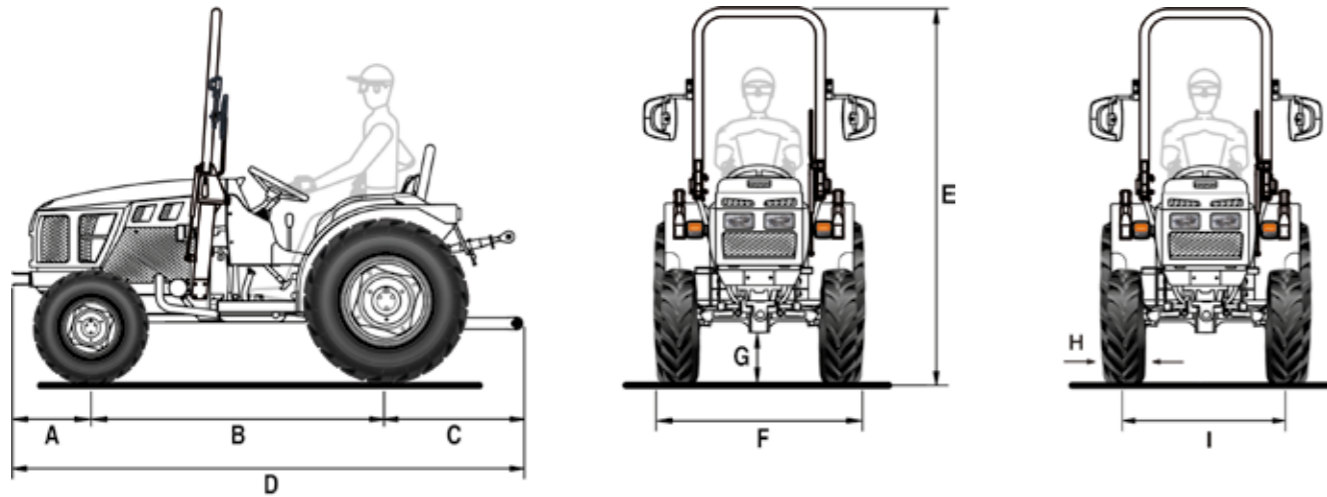


## ERA 35



A	B	C	D	E min/max	G min/max
424	1553	730	2707	1985 / 2505	206 / 246

Dimensions in mm - min / max

	6.5/80-12	250/80-18	23x8.50-12	280/70 R18	7.00-12	300/70 R20	25x8.50-14 Garden	380/70 D-15 (36x13.50-15) Garden
	Front	Rear	Front	Rear	Front	Rear	Front	Rear
H	165	240	213	282	192	286	213	381
I	868 / 1104	791 / 1107	932 / 1044	779 / 1119	830 / 1146	671 / 1227	960 / 1016	907 / 991
F	1033 / 1269	1031 / 1347	1145 / 1257	1061 / 1401	1022 / 1338	957 / 1513	1173 / 1229	1288 / 1372

Dimensions in mm - min / max

H = Tyre width - I = Wheel track - F = Tractor width

TECHNICAL FEATURES	ERA 35
<b>ENGINE</b>	Kohler KDW 1404   Diesel direct injection   Natural aspiration   4 cylinders   1372 cc   Liquid cooling   Stage V
Power	18.8 kW / 25.6 hp @3000 rpm   Max torque 78 Nm@2000 rpm
Tank capacity (l)	26
<b>CHASSIS</b>	Rigid with steering wheels
<b>DRIVE</b>	Four-wheel drive with front-wheel drive disengagement
<b>TRANSMISSION</b>	24-speed synchronised gearbox: 12 FWD and 12 REV with synchronised reverser
Min/max travel speed (km/h)	0.7 / 28
Transmission clutch	Dual disc with pedal control for the gearbox - Hand lever control for the PTO
<b>DIFFERENTIAL LOCK</b>	Rear with mechanical control
<b>AXLES</b>	Front: steering, portal axle with bevel drive gear set and lateral bull-gear units - Rear: with planetary reduction units
<b>REAR PTO</b>	Independent from the gearbox and synchronised with forwarding speed
Engagement control	Mechanical
PTO rotation speed (rpm)	540
<b>HYDRAULIC SYSTEM</b>	With hydraulic gear pump
Flow rate to the hydroguide, lift and control valves (l/min)	19.3
Maximum hydraulic pressure (bar)	110
<b>REAR LIFT</b>	By two external cylinders. Standard: up/down lift - Optional: position and draft-controlled
3-point implement hitch	Normal couplings cat. 1
Third point tie rod	With manual adjustment
Ball joint lifting capacity (kg)	750
<b>FRONT LIFT (optional)</b>	Couplings cat. 1N, with front and under-belly PTO at 1700 rpm
Lifting capacity (kg)	350
<b>REAR CONTROL VALVES</b>	Mechanically controlled
Standard	1 double-acting (total 2 hydraulic outlets)
Optional	With rear up/down lift: up to 6 hydraulic outlets in total - With draft-controlled rear lift: up to 4 hydraulic outlets in total
<b>DRIVING POSITION</b>	Monodirectional
Steering wheel	Standard: fixed - Optional: height adjustable
Seat	With safety belt and man-on-board sensor. Upholstered seat, cushioned, adjustable springs and positions
<b>SERVICE BRAKES</b>	Rear, multidisc in oil bath. Independent manoeuvring brakes acting on the rear wheels
Parking brake	Acting on service brakes
<b>STEERING</b>	Hydrostatic steering acting on the front wheels
<b>SAFETY</b>	Front homologated roll-bar with gas spring for easy lowering and lifting
<b>DASHBOARD</b>	With instrumentation complete with fuel level indicator, engine coolant temperature, engine rpm, operating hours and warning lights
<b>ELECTRIC SYSTEM</b>	Battery: 45 Ah / 12 V - Alternator: 30 A
Standard equipment	Street light and indicator system, auxiliary power outlet on the dashboard (12V), rear 7-pin socket
<b>TYRES</b>	Tractor: 6.5/80-12*250/80-18 - 23x8.50-12*280/70R18 - 7.00-12*300/70R20   Garden: 25x8.50-14*380/70D-15 (36x13.50-15)
<b>TOW HOOKS</b>	Standard: front and rear CUNA cat. B adjustable in height - Optional: rear tow hook EC approved
<b>RUNNING ORDER WEIGHT</b>	With roll-bar: 1100 kg
<b>ADDITIONAL OPTIONS</b>	1700 rpm under-belly PTO, adjustable rear working light, beacon lamp, front weights 60 kg total et rear wheel weights 45 kg each